

# DECONTACTORS

# DN



Plugs and socket-outlets with an integral switching device as defined in clause 2.8 of IEC/EN 60309-1 standard

**From 20 to 150A**

Voltage range up to 500V AC and 130V DC

IP55 (cap closed) IP54 (plug connected) IK09

Complies with IEC/EN 60309-1 standard

Ability to make and break under overload conditions to IEC/EN 60947-3 standard class AC22: for switching of mixed resistive and inductive loads (AC22)

Interior keying system with 16 non-interchangeable positions

**Metal bodied**

Silver-nickel tipped contacts, **oxydisation proof**

Spring loaded contacts ensuring constant pressure between the contacts

Vibration-proof terminals

Live socket-outlet contacts protected against standard contact test finger (IP2X)

Specially designed for harsh conditions of use

*Rated current from 20 to 150A according to IEC/EN60309-1 and AC22 load break switch according to IEC/EN 60947-3*

	MAXIMUM RATED VOLTAGE				Conductor cross-section in mm <sup>2</sup>	
	IEC/EN 60309-1 400V	IEC/EN 60309-1 500V	IEC/EN 60947-3 400V	IEC/EN 60947-3 500V	flexible	stranded
<b>DN8</b>	-	20A	20A-AC22	20A-AC22	1 to 6	1,5 to 6
<b>DN1</b>	-	30A	30A-AC22	30A-AC22	4 to 6	4 to 10
<b>DN3</b>	-	50A	50A-AC22	50A-AC22	2,5 to 10	2,5 to 16
<b>DN6</b>	-	90A	90A-AC22	63A-AC22	10 to 25	10 to 35
<b>DN9</b>	150A	-	150A-AC22	-	35 to 50	50 to 70

These products are also available for many other voltages and frequencies. See page 7

### WALL MOUNTING APPLIANCE INLET



=

### WALL BOX

CABLE GLAND NOT INCLUDED



+



		30° WALL BOX		70° WALL BOX	
		ENTRY	REFERENCE	ENTRY	REFERENCE
<b>DN8</b>	<b>20A</b>	M M20	19 8A053	-	-
<b>DN1</b>	<b>30A</b>	M M20	19 1A053	M M25	87 3A053
<b>DN3</b>	<b>50A</b>	M M25	19 3A053	M M40	87 6A053
<b>DN6</b>	<b>90A</b>	M M40	19 6A053	M M50	87 9A053
<b>DN9</b>	<b>150A</b>	M M50	19 9A053	M M50	87 9A053

	220/250V		380/440V	
	SPNE	3PE	3PNE	
M	19 88015	19 88013	19 88017	
M	19 18015	19 18013	19 18017	
M	19 38015	19 38013	19 38017	
M	19 68015	19 68013	19 68017	
M	19 98032 (2P+E)	19 98013		

For other tappings, please consult us

### INCLINED APPLIANCE INLET



=



+



		30° INCLINED SLEEVE		70° INCLINED SLEEVE	
		REFERENCE		REFERENCE	
<b>DN8</b>	<b>20A</b>	M	19 8A027	-	-
<b>DN1</b>	<b>30A</b>	M	19 1A027	M	87 3A087
<b>DN3</b>	<b>50A</b>	M	19 3A027	M	87 6A087
<b>DN6</b>	<b>90A</b>	M	19 6A027	M	87 9A087
<b>DN9</b>	<b>150A</b>	M	19 9A027	M	87 9A087

	220/250V		380/440V	
	SPNE	3PE	3PNE	
M	19 88015	19 88013	19 88017	
M	19 18015	19 18013	19 18017	
M	19 38015	19 38013	19 38017	
M	19 68015	19 68013	19 68017	
M	19 98032 (2P+E)	19 98013		

### PLUG



=

### HANDLE



CABLE GLAND NOT INCLUDED

+



		STANDARD HANDLE		FLOWERPOT HANDLE		
		Ø mm	REFERENCE	ENTRY	REFERENCE	
<b>DN8</b>	<b>20A</b>	Pe	5-21	19 8A013	Pe M20	19 8A253 417
		N	12-20	19 8A013 03	M M20	19 8A953 417
<b>DN1</b>	<b>30A</b>	Pe	10-30	19 1A013	Pe M20	19 1A253 417
		N	15-27	19 1A013 03	M M20	19 1A953 417
<b>DN3</b>	<b>50A</b>	Pe	13-35	19 3A013	Pe M25	19 3A253 418
		N	20-36	19 3A013 03	M M25	19 3A953 418
<b>DN6</b>	<b>90A</b>	N	13-27	19 6A013 03	Pe M40	19 6A253 420
		N	25-45	19 9A013	M M40	19 6A953 420
<b>DN9</b>	<b>150A</b>	N	25-45	19 9A013	Pe M50	19 9A253 429
					M M50	19 9A953 429

	220/250V		380/440V	
	SPNE	3PE	3PNE	
M	19 88015	19 88013	19 88017	
M	19 18015	19 18013	19 18017	
M	19 38015	19 38013	19 38017	
M	19 68015	19 68013	19 68017	
M	19 98032 (2P+E)	19 98013		

For other tappings, please consult us

Pe POLYAMIDE  
N NEOPRENE  
M METAL

Example for a plug DN8 20A/400V 3PNE



PLUG

=



HANDLE  
19 8A013

+



INLET  
19 88 017

These products are also available for many other voltages and frequencies. See page 7

### WALL MOUNTING SOCKET



=

### WALL BOX

CABLE GLAND NOT INCLUDED



+

#### 30° WALL BOX

#### 70° WALL BOX

ENTRY REFERENCE

ENTRY REFERENCE

<b>DN8</b>	20A	M	M20	19 8A053	-
<b>DN1</b>	30A	M	M20	19 1A053	M M25 87 3A053
<b>DN3</b>	50A	M	M25	19 3A053	M M40 87 6A053
<b>DN6</b>	90A	M	M40	19 6A053	M M50 87 9A053
<b>DN9</b>	150A	M	M50	19 9A053	M M50 87 9A053

For other tappings, please consult us

### INCLINED SOCKET



=

### INCLINED SLEEVE



+

#### 30° INCLINED SLEEVE

#### 70° INCLINED SLEEVE

REFERENCE

REFERENCE

<b>DN8</b>	20A	M	19 8A027	-
<b>DN1</b>	30A	M	19 1A027	M 87 3A087
<b>DN3</b>	50A	M	19 3A027	M 87 6A087
<b>DN6</b>	90A	M	19 6A027	M 87 9A087
<b>DN9</b>	150A	M	19 9A027	M 87 9A087

### CONNECTOR



=

### HANDLE



+

#### STANDARD HANDLE

#### FLOWERPOT HANDLE

Ø mm REFERENCE

ENTRY REFERENCE

<b>DN8</b>	20A	Pe	5-21	19 8A013	Pe	M20	19 8A253 417
		N	12-20	19 8A013 03	M	M20	19 8A953 417
<b>DN1</b>	30A	Pe	10-30	19 1A013	Pe	M20	19 1A253 417
		N	15-27	19 1A013 03	M	M20	19 1A953 417
<b>DN3</b>	50A	Pe	13-36	19 3A013	Pe	M25	19 3A253 418
		N	20-36	19 3A013 03	M	M25	19 3A953 418
<b>DN6</b>	90A	N	13-27	19 6A013 03	Pe	M40	19 6A253 420
		N	25-45	19 9A013	M	M40	19 6A953 420
<b>DN9</b>	150A	N	25-45	19 9A013	Pe	M50	19 9A253 429
		N	25-45	19 9A013	M	M50	19 9A953 429

For other tappings, please consult us

### SOCKET-OUTLET



	220/250V	380/440V	220/250V
			380/440V
	SPNE	3PE	3PNE
M	19 84015	19 84013	19 84017
M	19 14015	19 14013	19 14017
M	19 34015	19 34013	19 34017
M	19 64015	19 64013	19 64017
M	19 94032 (2P+E)	19 94013	

### SOCKET-OUTLET



	220/250V	380/440V	220/250V
			380/440V
	SPNE	3PE	3PNE
M	19 84015	19 84013	19 84017
M	19 14015	19 14013	19 14017
M	19 34015	19 34013	19 34017
M	19 64015	19 64013	19 64017
M	19 94032 (2P+E)	19 94013	

### SOCKET-OUTLET



	220/250V	380/440V	220/250V
			380/440V
	SPNE	3PE	3PNE
M	19 84015	19 84013	19 84017
M	19 14015	19 14013	19 14017
M	19 34015	19 34013	19 34017
M	19 64015	19 64013	19 64017
M	19 94032 (2P+E)	19 94013	

Pe POLYAMIDE  
N NEOPRENE  
M METAL

### Emergency stop latch

Add suffix 453 to socket-outlet part number

### Optional padlocking

See page 24

Example for a wall mounting socket DN8 20A/400V 3PNE



=



+



WALL MOUNTING SOCKET

WALL BOX  
19 8A053

SOCKET-OUTLET  
19 84 017

Please contact us if you want to order the following:

### HANDLES FOR LARGER SIZED CABLES



### SCREW LOCKING - PADLOCKING - MULTIPLE LOCKING



In order to prevent unwanted disconnection and/or to deny access to a socket, different locking mechanisms are available. Also available for inlet/plug lockout.

### INLET CAP



	IP55 Inlet cap				
	DN8	DN1	DN3	DN6	DN9
REFERENCE	19 8A126	19 1A126	19 3A126	19 6A126	19 9A126

### STOP BUTTON



Sockets can be fitted with a mushroom latch button with a red sticker marked «stop». This allows the quick and safe disconnection of the plugged-in appliance, even with a gloved hand.

### DRAW MECHANISM



These accessories help inserting DN6 or DN9 plugs into their sockets.

### OPTIONS FOR SOCKET LID

Instead of having socket lids self opening, they can also self close, or self open to 180°, or both.

### AUTO-EJECTING DECONTACTORS



DN decontactors can be modified to self-eject. Tension applied to the supply cable causes the socket and inlet to separate thus preventing accidents and minimising damage to mobile appliances. Plugs can self-eject from sockets (except for DN8 and DN3). Connectors can self-eject from fixed inlets. Please ask for our special leaflet.

#### Road transport vehicles / Electric boats



Applications:

- Battery recharging.
- Refrigerated trailers.
- Taken aboard ship equipment supply.

Benefits:

- Prevent damage if vehicle / boat starts without having first unplugged its connector.
- Watertight versions available.

#### Fire tenders / Emergency vehicles



Applications:

- Battery recharging.
- Diesel / water heating.

Benefits:

- No tugging or pulling to disengage force-fit connections. Slight tension releases plug. Firemen can leave the station in an emergency without unplugging if necessary.

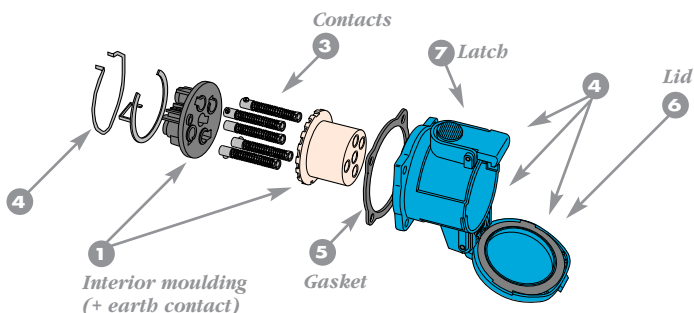
# SPARE PARTS

# DN

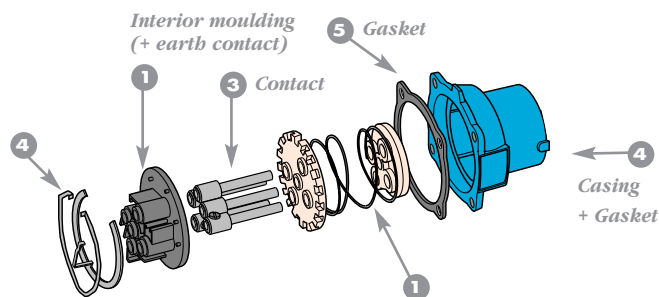
fax 44(0) 1244 851498 or 33(0)1 45 11 60 60

20/150A

## SOCKET-OUTLET SPARE PARTS



## INLET SPARE PARTS



TO ENSURE YOU RECEIVE THE CORRECT MARECHAL SPARE PARTS, SIMPLY FILL OUT THIS FORM AND FAX IT BACK TO US. FOR UK & EIRE +44 (0)1244 851498 FOR ALL OTHER COUNTRIES +33 (0)1 45 11 60 60 WE WILL SEND IT BACK WITH A QUOTATION NUMBER THAT YOU WILL USE TO PLACE YOUR ORDER

SOCKET-OUTLET

INLET

DESIGNATION OF THE PART (REFER TO THE DRAWING ABOVE):

**A** RANGE (SEE LABEL ON PRODUCT): .....

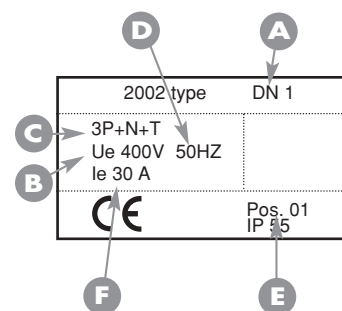
**B** VOLTAGE: .....

**C** POLARITY: .....

**D** FREQUENCY: .....

**E** NOTCH POSITION EG 01,07: .....

**F** CURRENT: .....



QUANTITY: .....

CUSTOMER ADDRESS:

COMPANY NAME: .....

CONTACT NAME: .....

ADDRESS: .....

PHONE: ..... FAX: .....

E-MAIL: .....

OUR REPLY:

MARECHAL QUOTE NUMBER: .....

PRICE EACH: .....

VALIDITY: .....